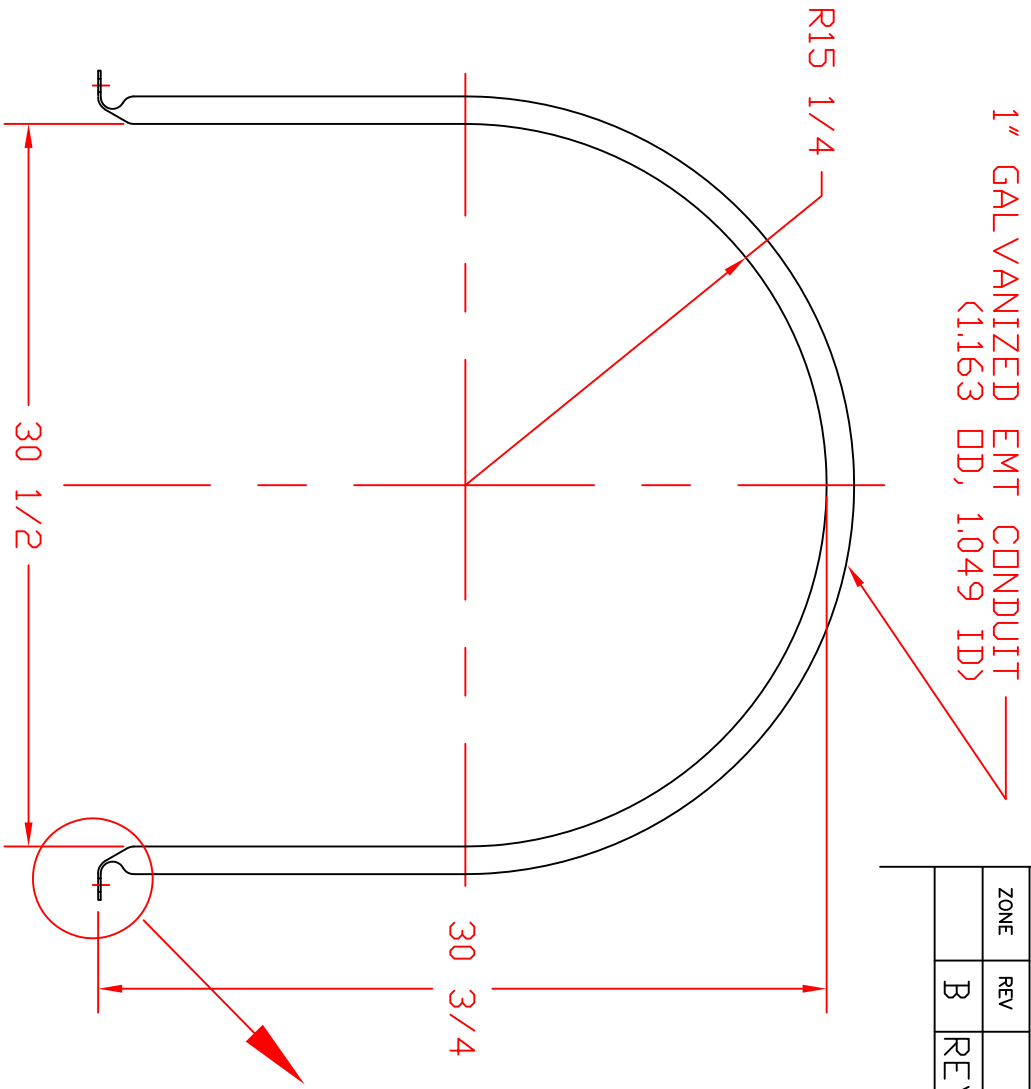
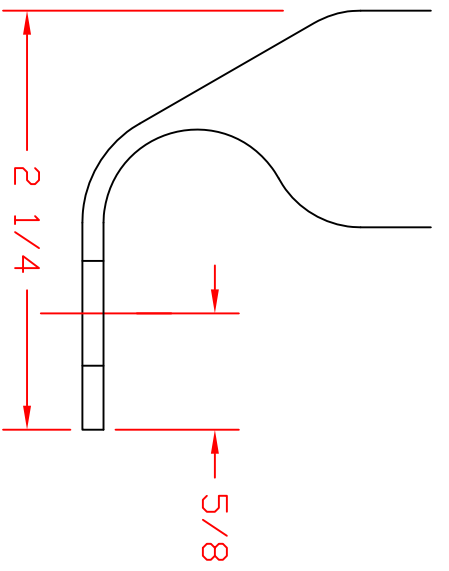
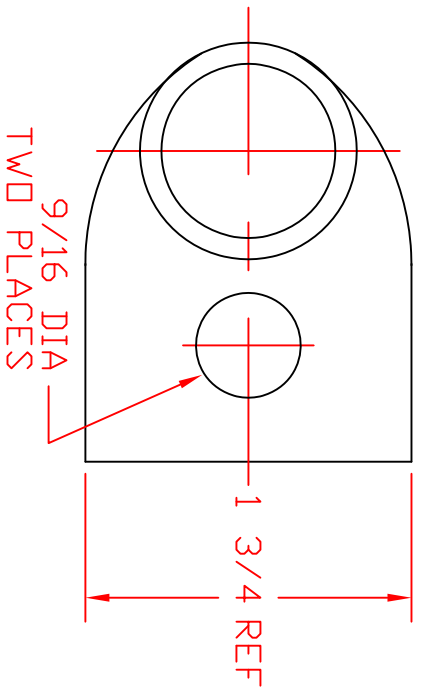


1" GALVANIZED EMT CONDUIT  
(1.163 OD, 1.049 ID)



REVISIONS

ZONE	REV	DESCRIPTION	DATE	APPROVED
B	REVISED & REDRAWN		15MAR99	



FULL SCALE DETAIL

**NORWESCO**  
ST. BONIFACIUS, MN

BAND, 125 GALLON  
HORIZONTAL TANK

JTP	15MAR99	SCALE 1/8	SHEET
SIZE	FSCM NO.	DWG NO.	REV
A		61744	B